

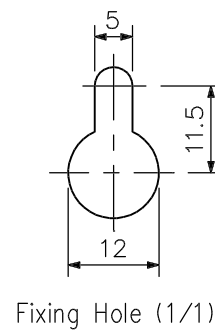
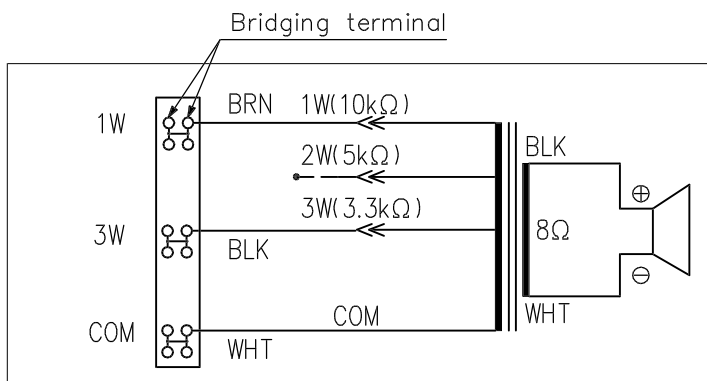
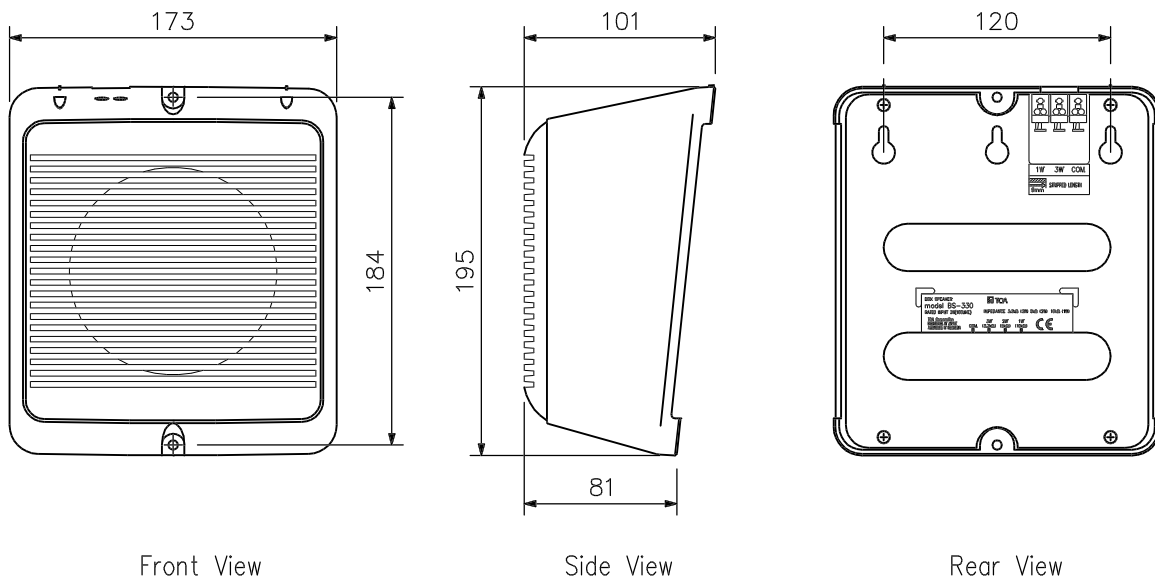
### DESCRIPTION

A speaker for emergency calls and providing high intelligibility.

### SPECIFICATIONS

Rated Input	3 W
Rated Impedance	3.3 kΩ (3 W), 10 kΩ (1 W)
Sound Pressure Level	91 dB (1 W, 1 m)
Frequency Response	120 – 15,000 Hz (–20 dB)
Speaker Component	12 cm dynamic-type full-range speaker
Usable Cable	600 V vinyl-insulated cable (IV wire or HIV wire) Solid copper wire: $\varnothing 0.8 - \varnothing 1.2$ mm 7-core twisted copper wire: $0.75 - 1.25$ mm <sup>2</sup>
Connection	Push-in connector (bridging terminal, 2 branch type)
Ambient Temperature	–10°C to +50°C
Finish	Case: ABS resin, off-white Rear board: hard board
Dimensions	173 (W) × 195 (H) × 101 (D) mm
Wall Mounting Dimensions	Case front mount: 184 mm Fixing hole mount: 120 mm
Weight	745 g
Accessory	Speaker mounting screw ... 2

### APPEARANCE



(Transformer connection when the speaker is supplied from the factory)

(Note) Use transformer terminals when changing input impedance.

UNIT:mm SCALE:1/4