

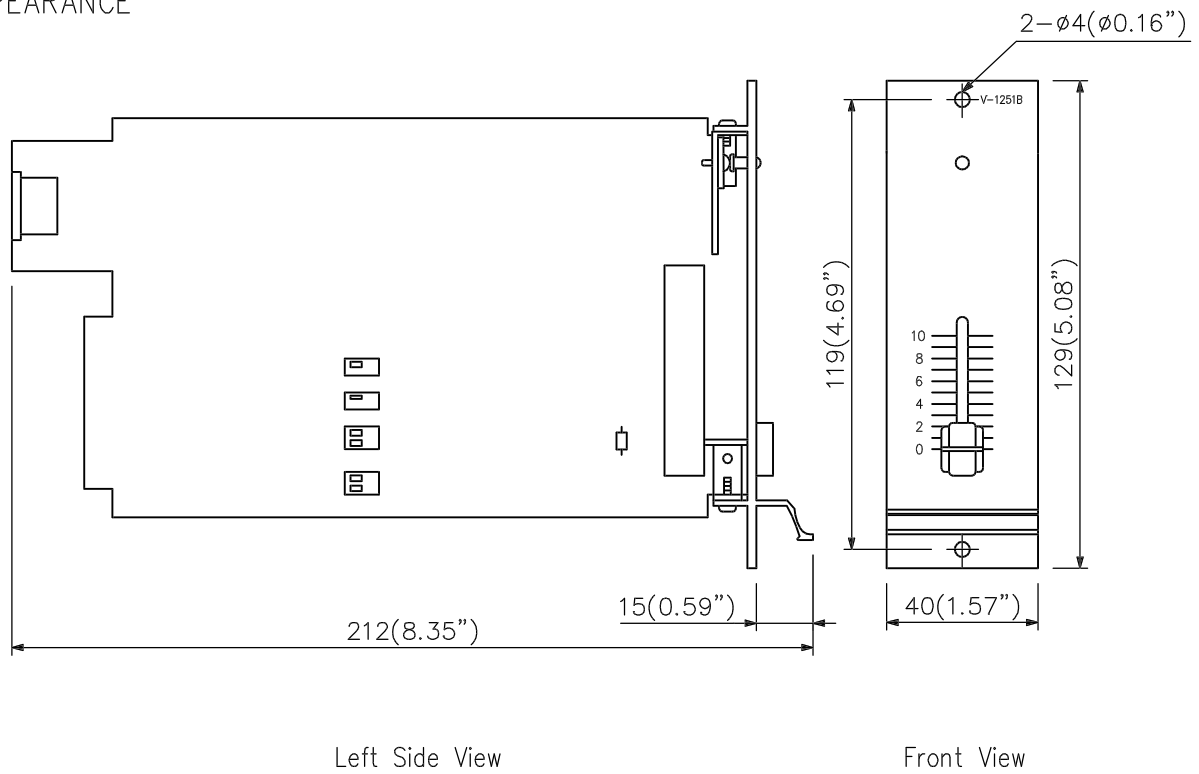
■DESCRIPTION

The V-1251B is a microphone preamplifier module with transformer-isolated input and programming functions. It designed for use with the VM series mixer power amplifiers and the mixer frame.

■SPECIFICATIONS

Power Requirement	24 V DC
Current Consumption	34 mA
Input Sensitivity and Impedance	-60 dBm 600 Ω, balanced
Output Level and Impedance	-20 dBV 10 kΩ
Frequency Response	30 Hz~20,000 Hz ± 1 dB
Speech Filter	-12 dB at 100 Hz
Distortion	Less than 0.3 % (f=1 kHz sine wave)
Noise Level	-126 dBV (20 Hz~20,000 Hz, 200 Ω terminated)
Indicator	In-use indicator (green LED)
Controls	1 × slide volume control
Programming Functions	Highest priority, 1st-in-1st-served priority Cascade priority, Speech filter Busy indication, Chime distribution Mic enable function
Connections	Input : 5-pin DIN socket Output and power received : 10-pin card connector
Color	Black
Dimensions(W×H×D)	40 (1.57")×129 (5.08")×212 (8.35") mm
Weight	162 g (0.36 lb.)

■APPEARANCE



UNIT:mm SCALE:1/2