

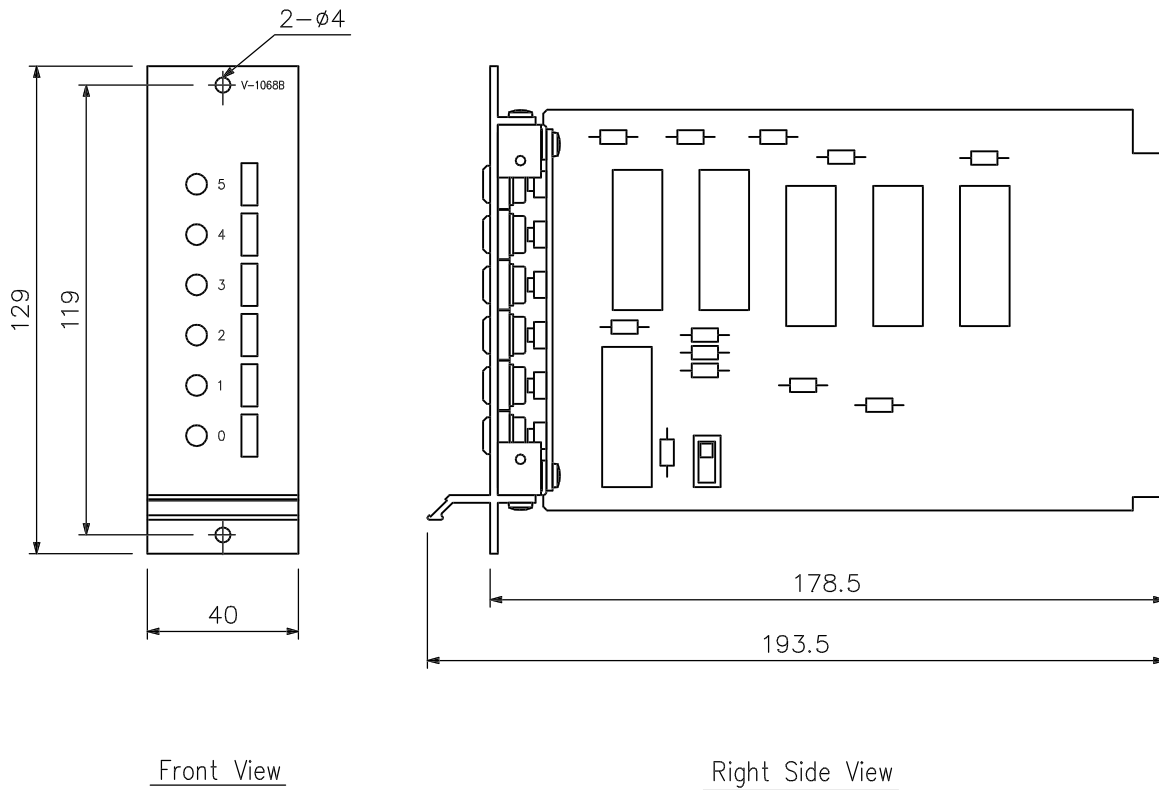
■DESCRIPTION

The V-1068B is a multi-purpose relay module that designed for use with the mixer flame, and by changing its jumper connections, various functions can be realized.

■SPECIFICATIONS

Power Requirement	24 VDC
Current Consumption	230 mA
Input	6 inputs (Each 250 VAC 4 A, 30 VDC 5 A, $A_0 A_0' \sim A_5 A_5'$)
Output	5 outputs (Each 250 VAC 4 A, 30 VDC 5 A, $L_1 L_1' \sim L_5 L_5'$)
Switches	5 selector buttons, 1 reset button
Indications	5 red/green LEDs 1 red LED
Connection	44 P card-edge connector
Finish	Aluminum, black, semi-mat
Dimensions	40 (W) × 129 (H) × 193.5 (D) mm
Weight	250 g

■APPEARANCE



UNIT:mm SCALE:1/2