

PA-1000B/BR

interM

PUBLIC ADDRESS AMPLIFIER/RECEIVER



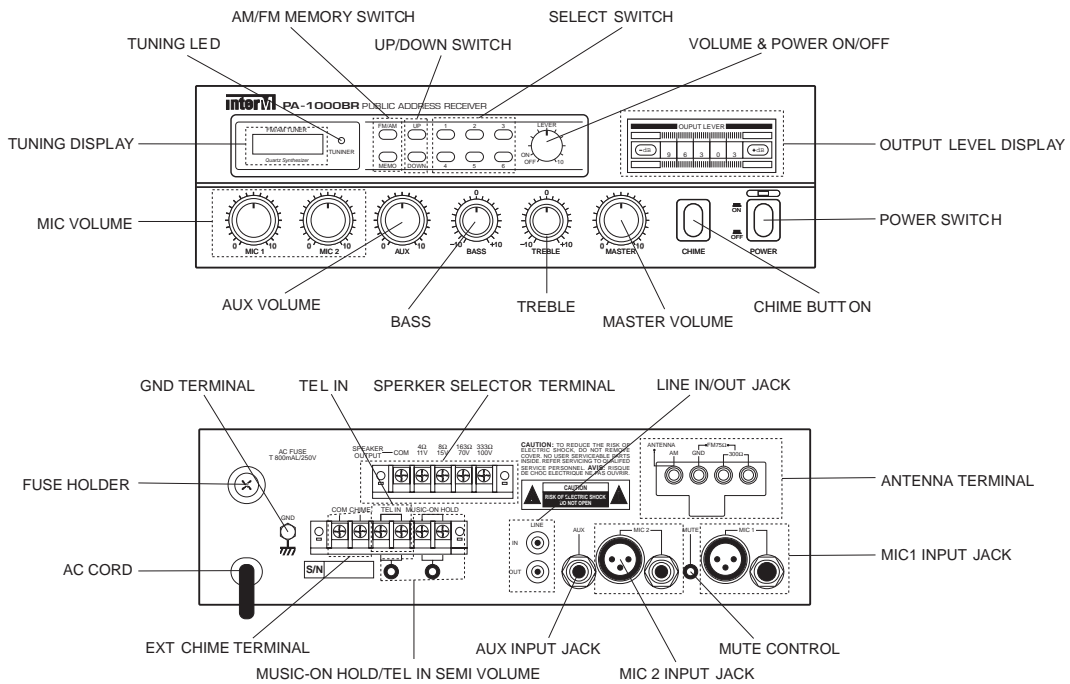
FEATURES

- **VERSATILE AND CONVENIENT**
3 channels of inputs Mic 1, Mic 2, Aux and four tone chime are incorporated for versatile and convenient use. Mic input has both XLR and phone jack.
- **REMOTE CHIME**
Chime circuit can be remote controlled through external chime terminal.
- **MUTING FOR PRIORITY**
Signal from Mic 1 and 4 tone chime have priority and can activate the mute circuit which temporary mutes signals from other input. The muting level can be adjusted with the level control at back panel.
- **TELEPHONE INPUT & MUSIC-ON HOLD (PA-1000BR ONLY)**
To use with telephone system telephone input and music-on hold are provided.
- **TUNER MEMORY(PA-1000BR ONLY)**
For convenient use 6CH frequency memory is provided.

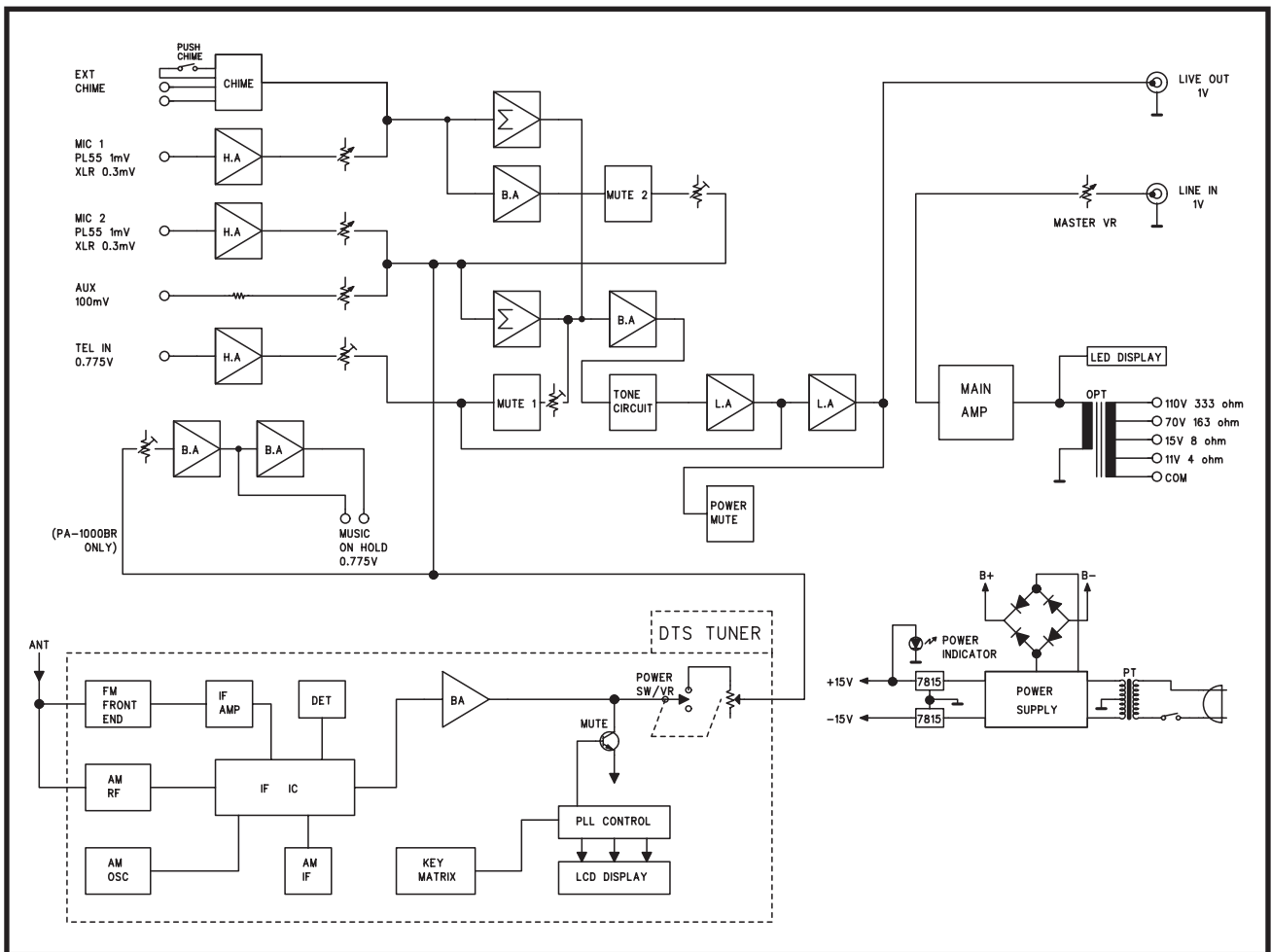
SPECIFICATIONS

- **AMPLIFIER SECTION** *0dB=0.775Vrms
 - Rated Output.....30W(RMS)
 - Frequency Response.....60Hz ~ 20kHz
 - T.H.D(at 1kHz Rated Output).....Less than 0.5%
 - Tone ControlsBass:100Hz at ± 10 dB
Treble:10kHz at ± 10 dB
 - Input Sensitivity/Impedance
 - Mic 1, 2PL55 1mV/10k Ω , BAL
XLR 0.3mV/600 Ω , BAL
 - AUX100mV/10k Ω
 - Telephone In.....0.775V/600 Ω
 - Amp In1V/10k Ω
 - Speaker Output/Impedance.....11V/4 Ω
15V/8 Ω , 70V/163 Ω , 100V/333 Ω
 - Line Out/Impedance1V/600 Ω
 - Music-On Hold/Impedance0.775V/600 Ω
- **TUNER SECTION**
 - Tuning Rang
 - U.S.A.....FM 87.5-108MHz, AM 530kHz-1620kHz
 - EUROPEFM 87.5-108MHz, AM 522kHz-1620kHz
 - Antenna Input.....FM:300 Ω , BAL or 75 Ω , UNBAL
AM:Low Impedance Loop Antenna
 - Usable SensitivityFM 2 μ V, AM 3 μ V
 - S/NFM 60dB, AM 50dB
- **GENERAL**
 - Power SourceAC 110V-240V, 50/60Hz
 - Power Consumption80W
 - WeightPA-1000B:4.6kg
PA-1000BR:4.8kg
 - Dimensions.....300(W) \times 88(H) \times 260(D)mm

PA-1000B/BR



BLOCK DIAGRAM



OFFICE : 653-5 BANGHAK-DONG, DOBONG-KU, SEOUL, KOREA TEL : 82-2-2289-8140-8, FAX : 82-2-2289-8149
 Home page : <http://www.inter-m.com> E-mail : export@inter-m.com