

# PAM-240/360



## PUBLIC ADDRESS AMPLIFIER



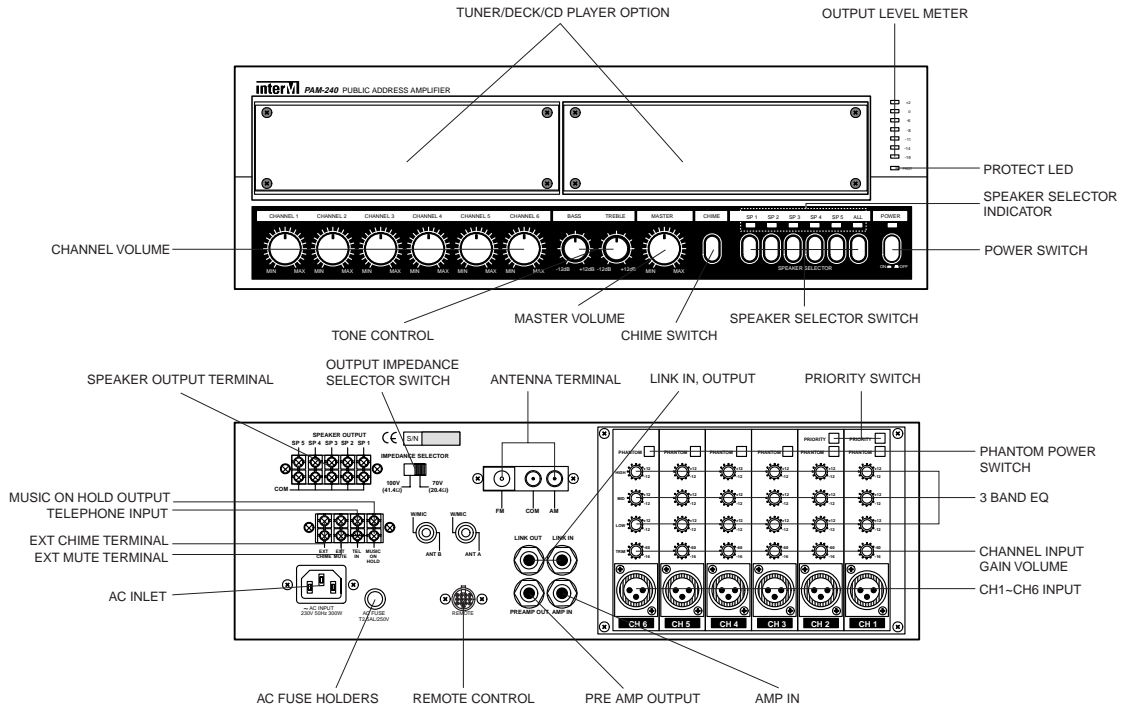
### FEATURES

- **MODULAR AMPLIFIER**  
This AMP is perfect for applications requiring High Reliability, Excellent Audio Quality. Units assemble in any configuration, AMP+Tuner, AMP+CD(Deck), AMP+Tuner+CD(Deck), utilizing modules.
- **INPUT GAIN CONTROLS**  
This system controls input gain in rear panel per CH, you can use conveniently.
- **SPEAKER SELECT**  
6 speaker selector switches are provided to enable you to select 5 speakers individually or totally.
- **CHIME WITH FOUR TONES**  
You can conveniently use four tone chime before the announcement.
- **MUTING FOR PRIORITY**  
CH1, 2, CHIME and TELEPHONE have priority to the others signal.
- **TELEPHONE INPUT/MUSIC-ON HOLD**  
To connect with the telephone system, the function of Telephone input and Music-on Hold are provided.(Music-on Hold is only for PAM-Tuner)
- **REMOTE CONTROL SYSTEM**  
Speaker zone can be selected and chime operated by remote amplifier.

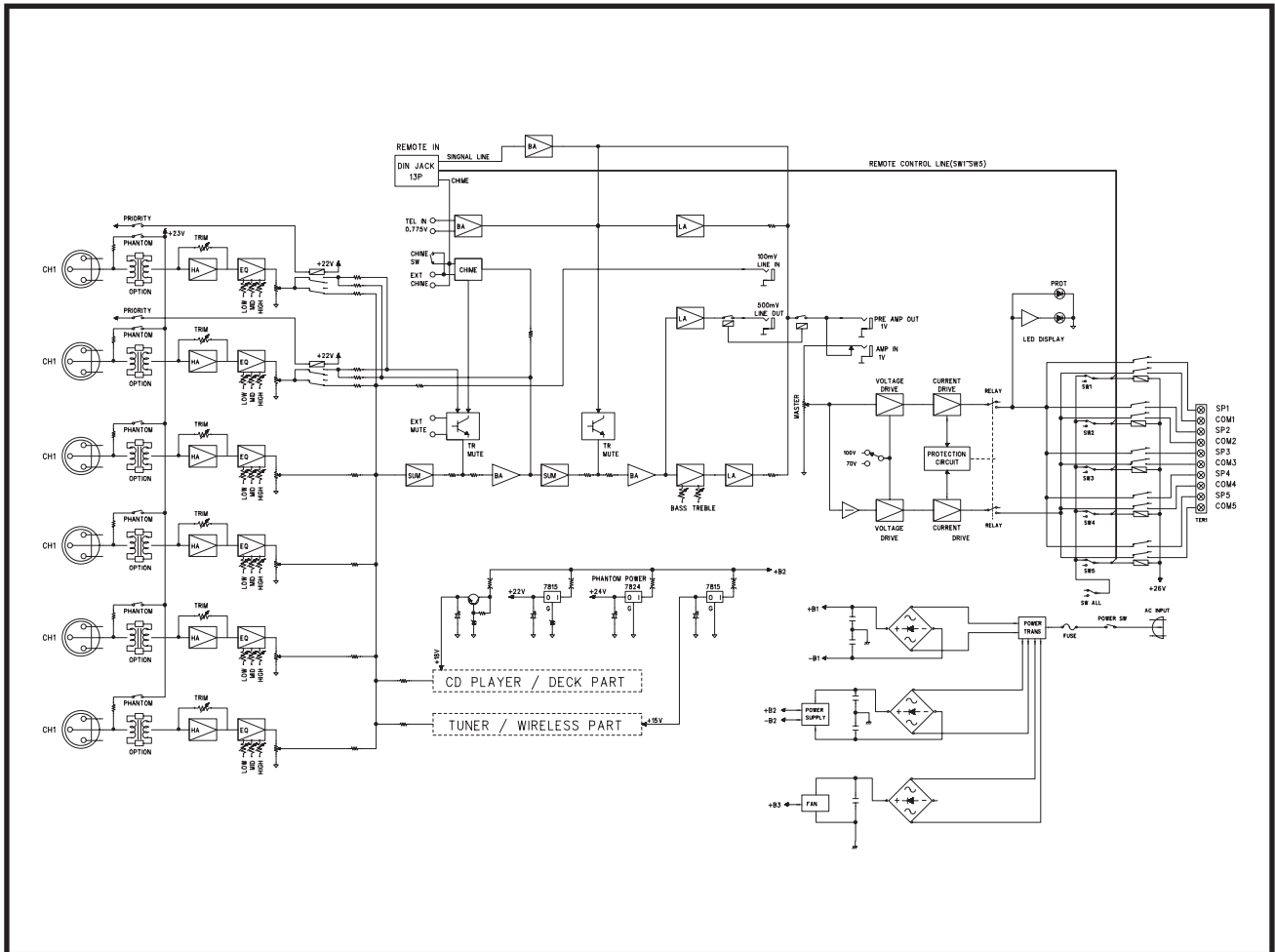
### SPECIFICATIONS

- **ELECTRICAL** \*0dB=0.775Vrms
  - Rated Output .....PAM-240:240W(RMS)  
PAM-360:360W(RMS)
  - Input Sensitivity/Impedance
    - CH1~6 .....1mV-160mV/10k $\Omega$
    - Link In .....100mV/10k $\Omega$
    - Telephone In .....0.775V/600 $\Omega$
    - Amp In .....1V/20k $\Omega$
    - Remote In .....1.2V/600 $\Omega$
  - Frequency Response( $\pm 3$ dB) .....80Hz~20kHz
  - T.H.D(at 1kHz Half Power) .....Less than 0.5%
  - S/N .....Better than 95dB
  - Tone Control(100Hz, 10kHz) ..... $\pm 12$ dB
  - EQ Control (100Hz, 1kHz, 10kHz) ..... $\pm 12$ dB
  - Speaker Output/Impedance
    - .....240W:20.4 $\Omega$ (70V), 41.4 $\Omega$ (100V)
    - .....360W:13.6 $\Omega$ (70V), 27.8 $\Omega$ (100V)
  - Pre Amp Out/Impedance .....1V/600 $\Omega$
  - Music on Hold/Impedance .....0.775V/600 $\Omega$
  - Link Out/Impedance .....500mV/600 $\Omega$
- **GENERAL**
  - Power Source .....AC 110V~240V, 50/60Hz
  - Power Consumption .....PAM-240(230V~240V):240W  
(110V~120V):250W  
PAM-360(230V~240V):300W  
(110V~120V):380W
  - Weight .....PAM-240:11kg  
PAM-360:13kg
  - Dimensions .....420(W)  $\times$  132(H)  $\times$  360(D)mm

# PAM-240/360



## BLOCK DIAGRAM



**interM**

OFFICE : 653-5 BANGHAK-DONG, DOBONG-KU, SEOUL, KOREA TEL : 82-2-2289-8140~8, FAX : 82-2-2289-8149  
Home page : <http://www.inter-m.com> E-mail : [export@inter-m.com](mailto:export@inter-m.com)

9047929810