

## PUBLIC ADDRESS LOGIC DOUBLE DECK



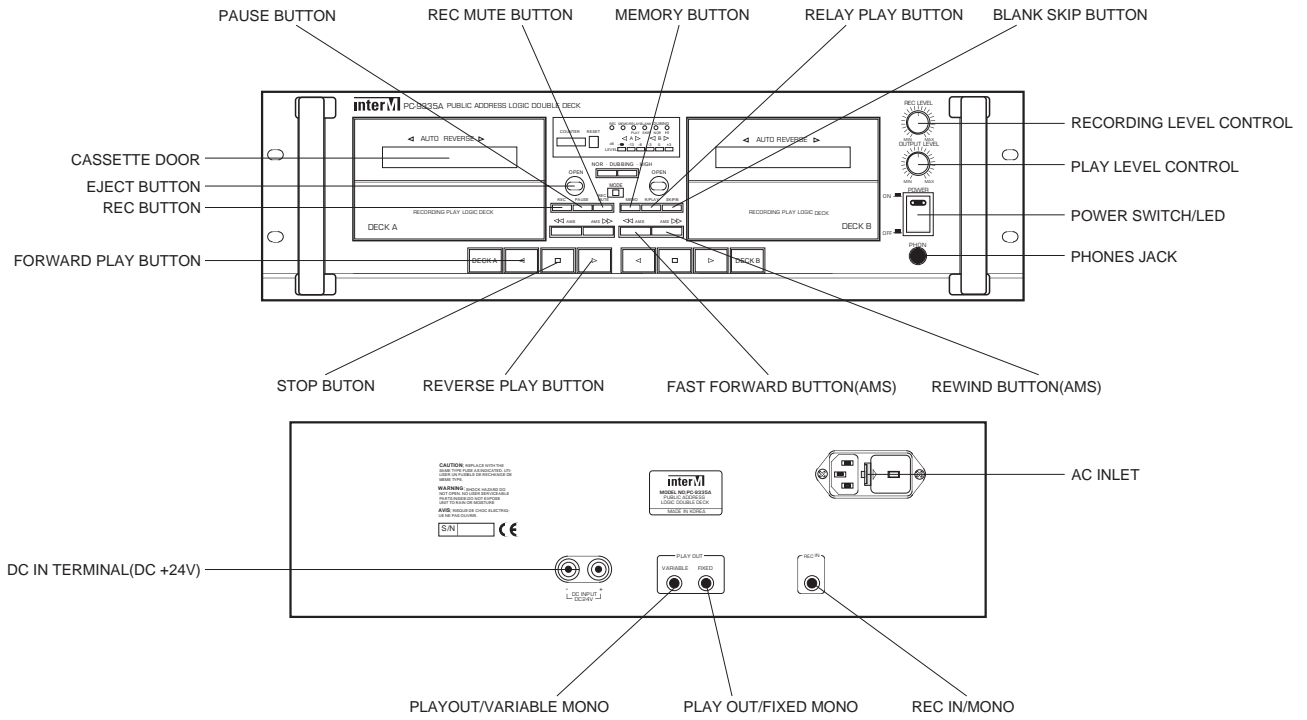
### FEATURES

- **FULL LOGIC AUTO-REVERSE DECK**  
For continuous playback of BGM, high reliable and full logic controlled auto reverse deck mechanism is provided.
- **SYNCHRO DUBBING OF NORMAL AND HI-SPEED**  
Synchro dubbing is available from Deck B to A with normal or high speed.
- **FIXED AND VARIABLE OUTPUT**  
For the PA system use, fixed output and variable output which is controlled with level control on the front panel are provided.
- **RELAY PLAYBACK**  
This model has the function of not only auto reverse but also relay playback. When deck B reach to the end, deck A start playback automatically.
- **AMS AND BLANK SKIP FUNCTION**  
For the convenience use, Automatic Music Search and Blank Skip functions are provided.
- **EMERGENCY BATTERY OPERATION**  
You can operate this cassette deck by using 24V emergency battery for unexpected AC power failure.

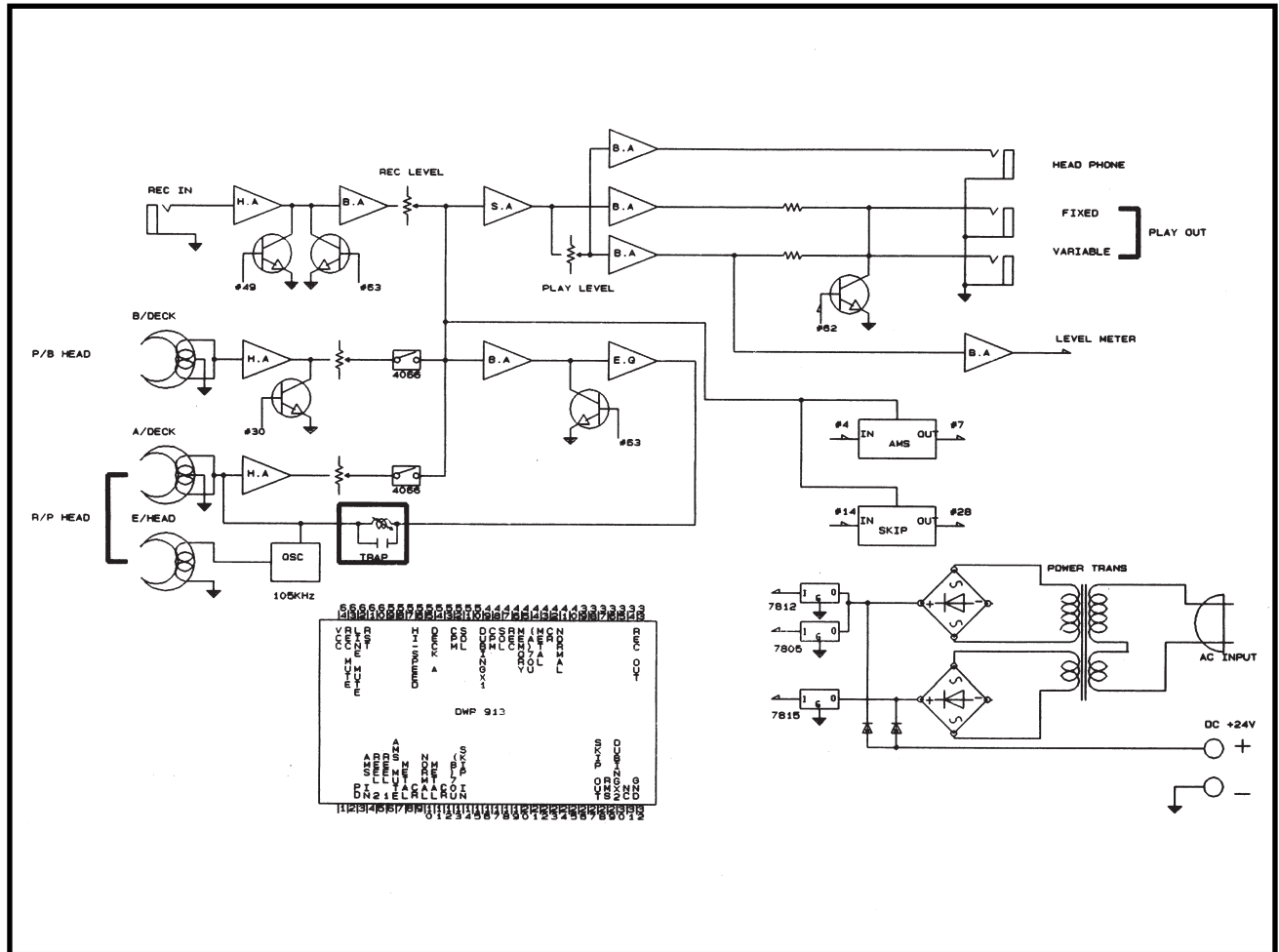
### SPECIFICATIONS

- **ELECTRICAL** \*0B=0.775Vrms
  - Output Level/Impedance(Fixed/Variable).....-10dB/2kΩ
  - Input Sensitivity/Impedance .....-36dB/47kΩ
  - Frequency Response .....Normal Type 125Hz-8kHz
  - S/N(REC/PB) .....45dB
  - Type .....Mono Double Full Logic Cassette Deck
  - Track System  
.....4 track, 2 Channel Mono Playback (Deck B)  
And Recording/Playback (Deck A)
  - Recording System .....AC Bias System  
(Bias Frequency:105kHz)
  - Erase System .....AC System
  - Tape Speed .....4.76cm/sec  
7.14cm/sec (High Dubbing)
  - Heads .....Rotary Reverse Head  
(REC/Playback head × 1, Erase head × 1):DECK A  
Rotary reverse head(Playback head × 1):DECK B
  - Motor .....High Torque DC Motor
  - Wow and Flutter.....Less than 0.12%(WRMS)
  - Fast Winding Time.....Approximately 120 Seconds  
With C-60 Cassette Tape
- **GENERAL**
  - Power Source.....AC 110V-240V, 50/60Hz, DC 24V
  - Power Consumption.....22W
  - Weight .....4.5kg
  - Dimensions.....482(W) × 132(H) × 280(D)mm

# PC-9335



## BLOCK DIAGRAM



**interM**

OFFICE : 653-5 BANGHAK-DONG, DOBONG-KU, SEOUL, KOREA TEL : 82-2-2289-8140~8, FAX : 82-2-2289-8149  
 Home page : <http://www.inter-m.com> E-mail : [export@inter-m.com](mailto:export@inter-m.com)