

REMOTE MICROPHONE



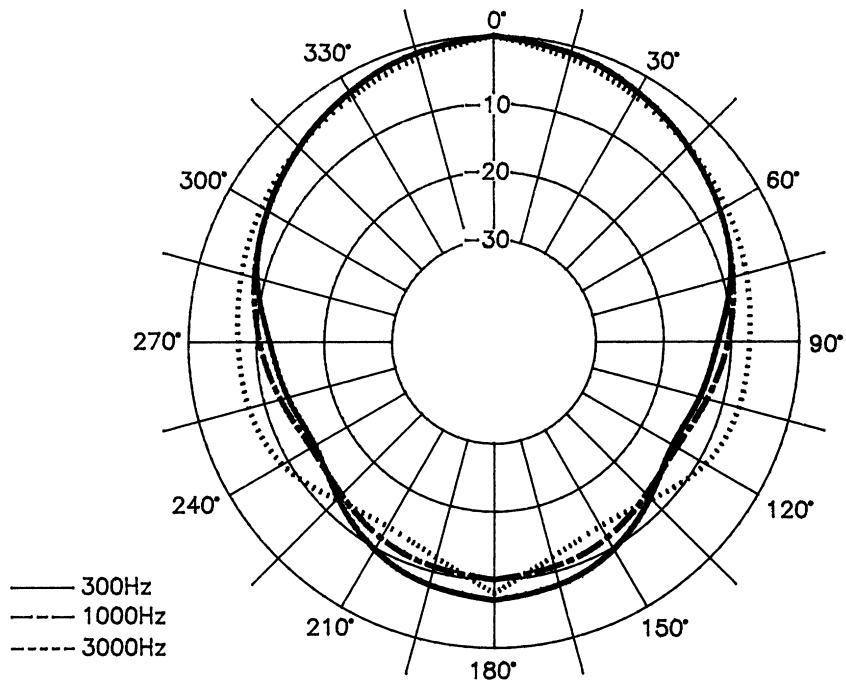
FEATURES

- UNIDIRECTIONAL DYNAMIC MICROPHONE
- REMOTE CHIME SWITCH
- MIC ON/OFF SWITCH
- 2 PUSH BUTTONS FOR EASY OPERATION

SPECIFICATION

- ELECTRICAL *0dB=0.775Vrms
 - Input Sensitivity/Impedance75dB ±3dB(0dB=1V/μber at 1,000Hz), 600Ω
 - Frequency Response.....100Hz~18kHz
 - Type.....Moving Coil Dynamic
 - Directional Characteristic.....Unidirectional
- GENERAL
 - Weight1.4kg
 - Dimensions90(W)×45(H)×133(D)mm

POLAR PATTERN



FREQUENCY RESPONSE CHART

